



# Vmax 153 High Efficiency Gas-Fired condensing Boiler

**SUBMITTAL SHEET**  
 Section 1 – General Specifications  
 Section 2 – Product Dimensions  
 Section 3 – Field Wiring

Project Name: \_\_\_\_\_ Date: \_\_\_\_\_  
 Location: \_\_\_\_\_  
 Engineer: \_\_\_\_\_  
 Contractor: \_\_\_\_\_ Rep: \_\_\_\_\_

## 1 – GENERAL SPECIFICATIONS

### Product Features:

- ✓ Certified to ANSI Z21.13 / CSA 4.9 Gas-fired Boiler Standard
- ✓ SA240-S43932 Stainless Steel Heat Exchanger
- ✓ Vertical Firetube Boiler
- ✓ ASME "H" stamped boiler, designed and constructed in compliance with the ASME Boiler and Pressure Vessel Code Section IV
- ✓ Maximum operating pressure 30 psi
- ✓ Modulating burner, 10:1 turndown ratio
- ✓ Direct Spark Ignition
- ✓ Built-in Primary Loop
- ✓ Built-in 3 speed circulator
- ✓ Built-in 3-way diverter valve
- ✓ Water pressure sensor
- ✓ 120 VAC outlet for condensate pump
- ✓ Wall (standard) or floor mounting (w/ opt. kit, NTI part # 84630)
- ✓ Zero clearance to combustibles (clearances required for service)
- ✓ Field conversion from Natural Gas (factory) to Propane
- ✓ Optional Sidewall vent kits

### Factory Supplied Items

- ✓ 10K Outdoor sensor
- ✓ 30 PSI ASME Pressure Relief Valve
- ✓ Pressure/Temperature Gauge
- ✓ Condensate Trap

### Control Features

- ✓ Integral microprocessor safety control
- ✓ Domestic Hot Water Priority timer
- ✓ Outdoor Reset
- ✓ Warm weather shut down
- ✓ Freeze protection
- ✓ Cascade up to 16 Vmax boilers
- ✓ 3 circulator outputs
- ✓ Outdoor reset temperature boost
- ✓ Compatible with indirect water heater w/ tank sensor or thermostat
- ✓ Service reminder
- ✓ Adjustable pump post purge
- ✓ Run time accumulation
- ✓ Night setback option
- ✓ Lockout and error history

### Model Specifications

| Water Connections<br>NPT, in. | Gas Connection<br>NPT, in. | Vent/Air-Inlet<br>Connection, in. | Vent/ Air-Inlet<br>Max. Length, Ft. | Approx. Wt.<br>w/Water, lb. |
|-------------------------------|----------------------------|-----------------------------------|-------------------------------------|-----------------------------|
| 1 (Male)                      | ½ (Female)                 | 3                                 | 150                                 | 132                         |

### Performance Specifications

| Input Modulation, MBH | DOE Heating Capacity, MBH | NET I=B=R Rating, MBH | AFUE, % |
|-----------------------|---------------------------|-----------------------|---------|
| 15.4 - 154            | 141                       | 122                   | 95      |



NY Thermal Inc.

NY Thermal Inc. 30 Stonegate Drive, Saint John, NB E2H 0A4 Canada

Technical Service: 1-800-688-2575 Fax: 1-506-432-1135 Web: <http://www.ntiboilers.com>

NY Thermal Inc. reserves the right to change these specifications without notice

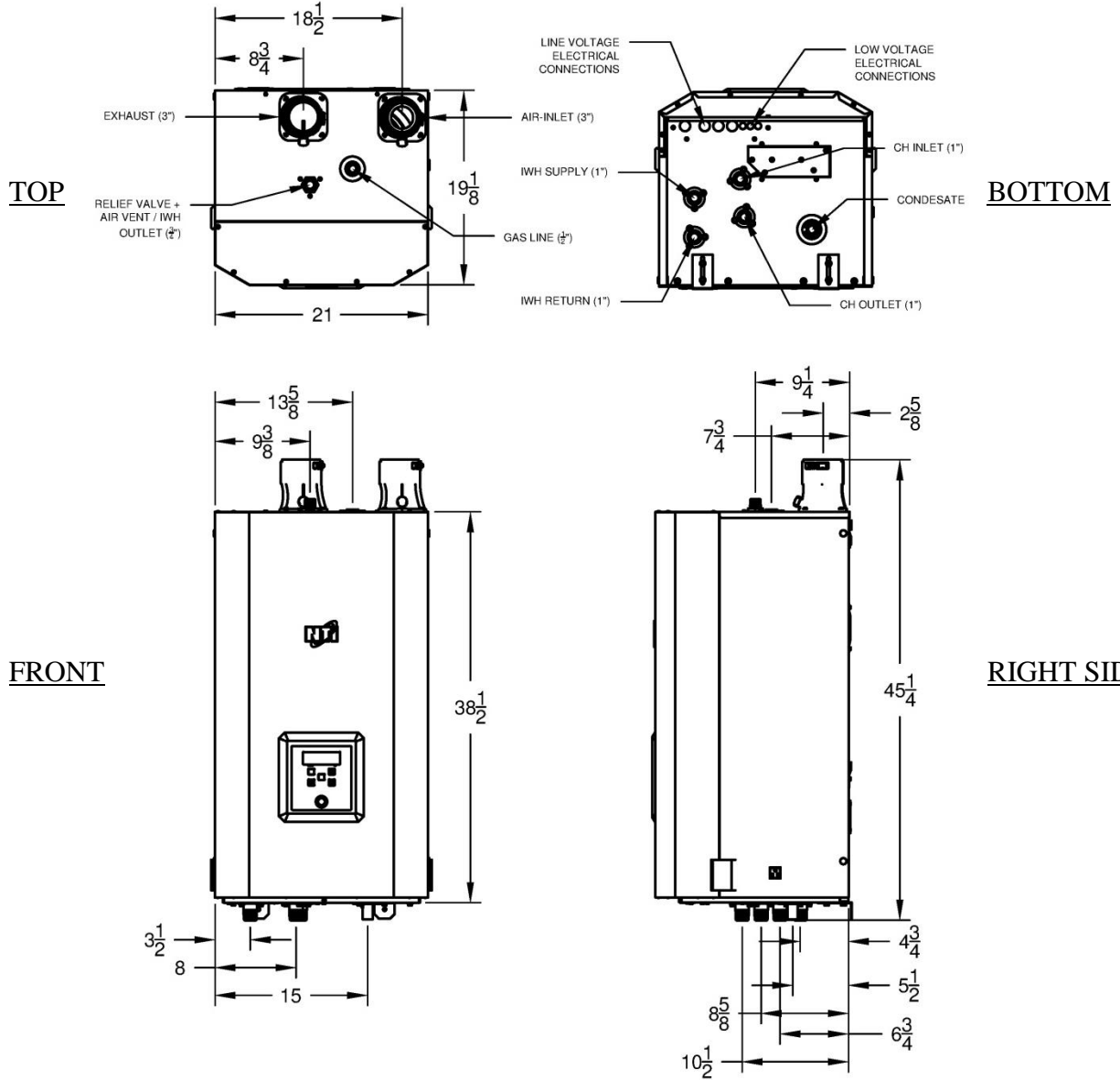
2016-06-23  
Rev. 0



# Vmax 153 High Efficiency Gas-Fired condensing Boiler

**SUBMITTAL SHEET**  
 Section 1 – General Specifications  
 Section 2 – Product Dimensions  
 Section 3 – Field Wiring

## 2 – PRODUCT DIMENSIONS [in.]



## RECOMMENDED CLEARANCES - in. [mm]

| Front    | Top      | Sides    | Back | Bottom   | Flue Pipe |
|----------|----------|----------|------|----------|-----------|
| 36 [914] | 24 [610] | 12 [305] | 0    | 24 [610] | 1 [25]    |



NY Thermal Inc.

NY Thermal Inc. 30 Stonegate Drive, Saint John, NB E2H 0A4 Canada

Technical Service: 1-800-688-2575 Fax: 1-506-432-1135 Web: <http://www.ntiboilers.com>

NY Thermal Inc. reserves the right to change these specifications without notice

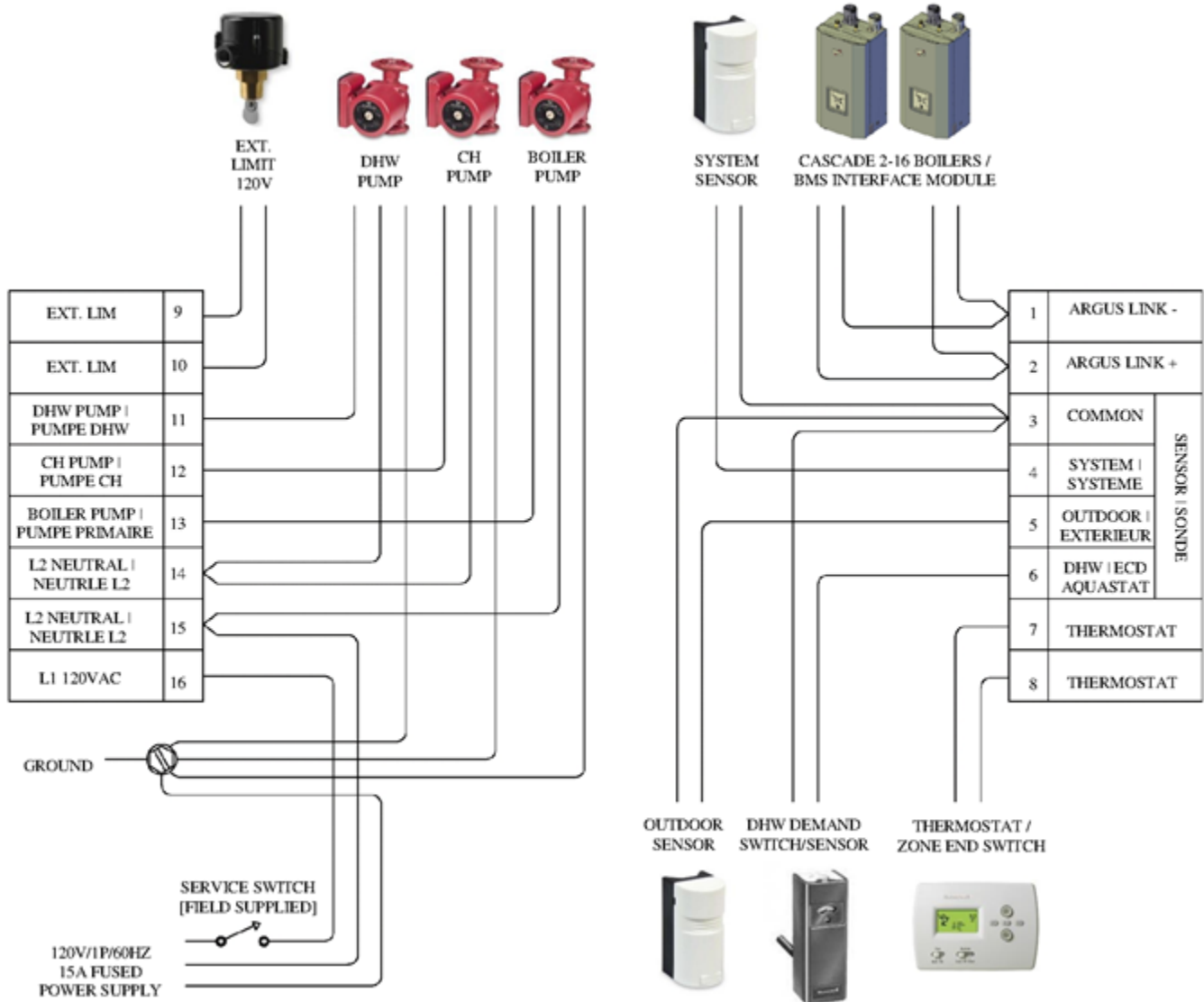
2016-06-23  
Rev. 0



# Vmax 153 High Efficiency Gas-Fired condensing Boiler

**SUBMITTAL SHEET**  
 Section 1 – General Specifications  
 Section 2 – Product Dimensions  
 Section 3 – Field Wiring

## 3 – FIELD WIRING



NY Thermal Inc.

NY Thermal Inc. 30 Stonegate Drive, Saint John, NB E2H 0A4 Canada

Technical Service: 1-800-688-2575 Fax: 1-506-432-1135 Web: <http://www.ntiboilers.com>

NY Thermal Inc. reserves the right to change these specifications without notice

2016-06-23  
Rev. 0