



Trinity FTV Heat Only(110, 150 and 190MBH) High Efficiency Gas-Fired Condensing Boiler

SUBMITTAL SHEET
Section 1 – General Specifications
Section 2 – Product Dimensions
Section 3 – Field Wiring

Project Name: _____ Date: _____
Location: _____
Engineer: _____
Contractor: _____ Rep: _____

1 – GENERAL SPECIFICATIONS

Product Features:

- ✓ Certified to ANSI Z21.13 / CSA 4.9 Gas-fired Boiler Standard
- ✓ SA240-439 Stainless Steel Heat Exchanger
- ✓ Vertical Firetube Boiler
- ✓ ASME "H" stamped boiler, designed and constructed in compliance with the ASME Boiler and Pressure Vessel Code Section IV
- ✓ Maximum operating pressure 50 psi
- ✓ Modulating burner, 10:1 turndown ratio
- ✓ Direct Spark Ignition
- ✓ 120 VAC convenience outlet for condensate pump
- ✓ Wall (standard) or floor mounting (w/ opt. kit, NTI part # 84630)
- ✓ Zero clearance to combustibles (clearances required for service)
- ✓ Field conversion from Natural Gas (factory) to Propane
- ✓ Optional Sidewall vent kits
- ✓ On / Off switch
- ✓ Water Pressure Sensor

Control Features:

- ✓ Integral microprocessor safety control
- ✓ Outdoor Reset
- ✓ Warm weather shut down
- ✓ Freeze protection
- ✓ Cascade up to 16 FTV series boilers
- ✓ Outdoor reset temperature boost
- ✓ Adjustable pump post purge
- ✓ Run time accumulation
- ✓ Night setback option
- ✓ Lockout and error history

Factory Supplied Items:

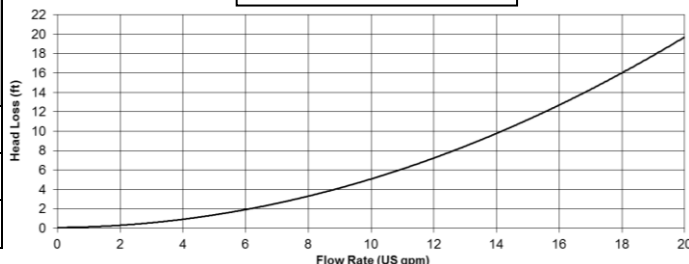
- ✓ 10K thermistor outdoor sensor
- ✓ 30PSI [206.8 kPa] ASME Relief Valve
- ✓ Pressure / Temperature Gauge
- ✓ Condensate Trap

Model	Water Connection NPT	DHW Connection NPT	Gas Connection NPT	Vent/Air-Inlet Pipe Diameter	Vent/ Air-Inlet Max. Length		Approx. Wt. w/ Water
					2" pipe	3" pipe	
FTV110	1" (Male)	n/a	½" (Female)	2" or 3"	100 ft	150 ft	88 lb
FTV150				2" or 3"	100 ft	150 ft	98 lb
FTV190				3"	n/a	150 ft	120 lb

Performance Specifications

Model	Input Modulation, MBH	DOE Heating Capacity, MBH	NET I=B=R Rating, MBH	AFUE %
FTV110	11 - 110	101	88	95
FTV150	15 - 150	138	120	95
FTV190	19 - 190	176	153	95

Head Loss Curve

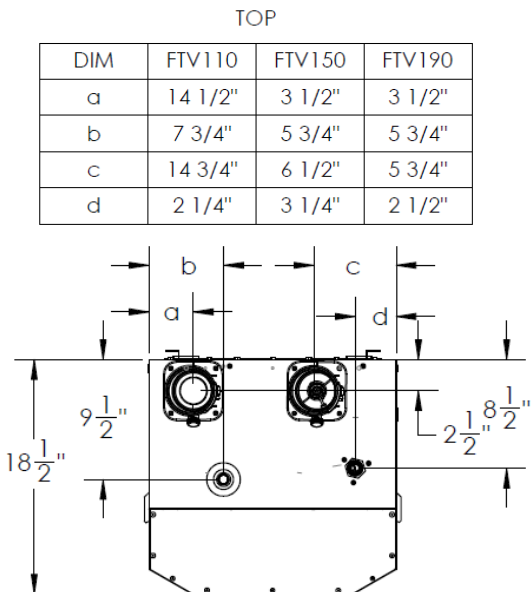
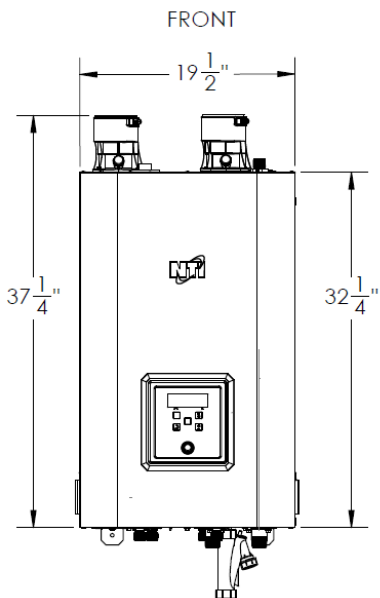


NY Thermal Inc.

NY Thermal Inc. 30 Stonegate Drive, Saint John, NB E2H 0A4 Canada
Technical Service: 1-800-688-2575 Fax: 1-506-432-1135 Web: [http:// www.ntiboilers.com](http://www.ntiboilers.com)
NY Thermal Inc. reserves the right to change these specifications without notice

2018-01-18
Rev. 0

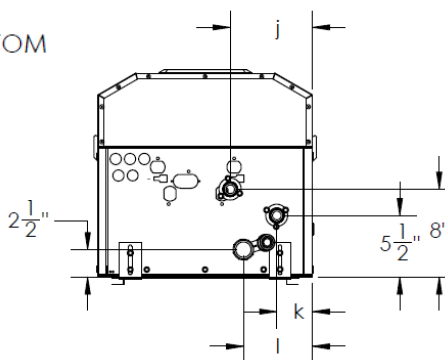
2 – PRODUCT DIMENSIONS - in.



DIM	FTV110	FTV150	FTV190
a	14 1/2"	3 1/2"	3 1/2"
b	7 3/4"	5 3/4"	5 3/4"
c	14 3/4"	6 1/2"	5 3/4"
d	2 1/4"	3 1/4"	2 1/2"

DIM	FTV110	FTV150	FTV190
J	6 1/2"	7 1/2"	6 3/4"
k	2 1/4"	3 1/4"	2 1/2"
l	14 1/2"	6 1/4"	2 1/2"

BOTTOM



RECOMMENDED CLEARANCES - in. [mm]

Front	Top	Sides	Back	Bottom	Flue Pipe
36 [914]	24 [610]	12 [305]	0	24 [610]	1 [25]



NY Thermal Inc.

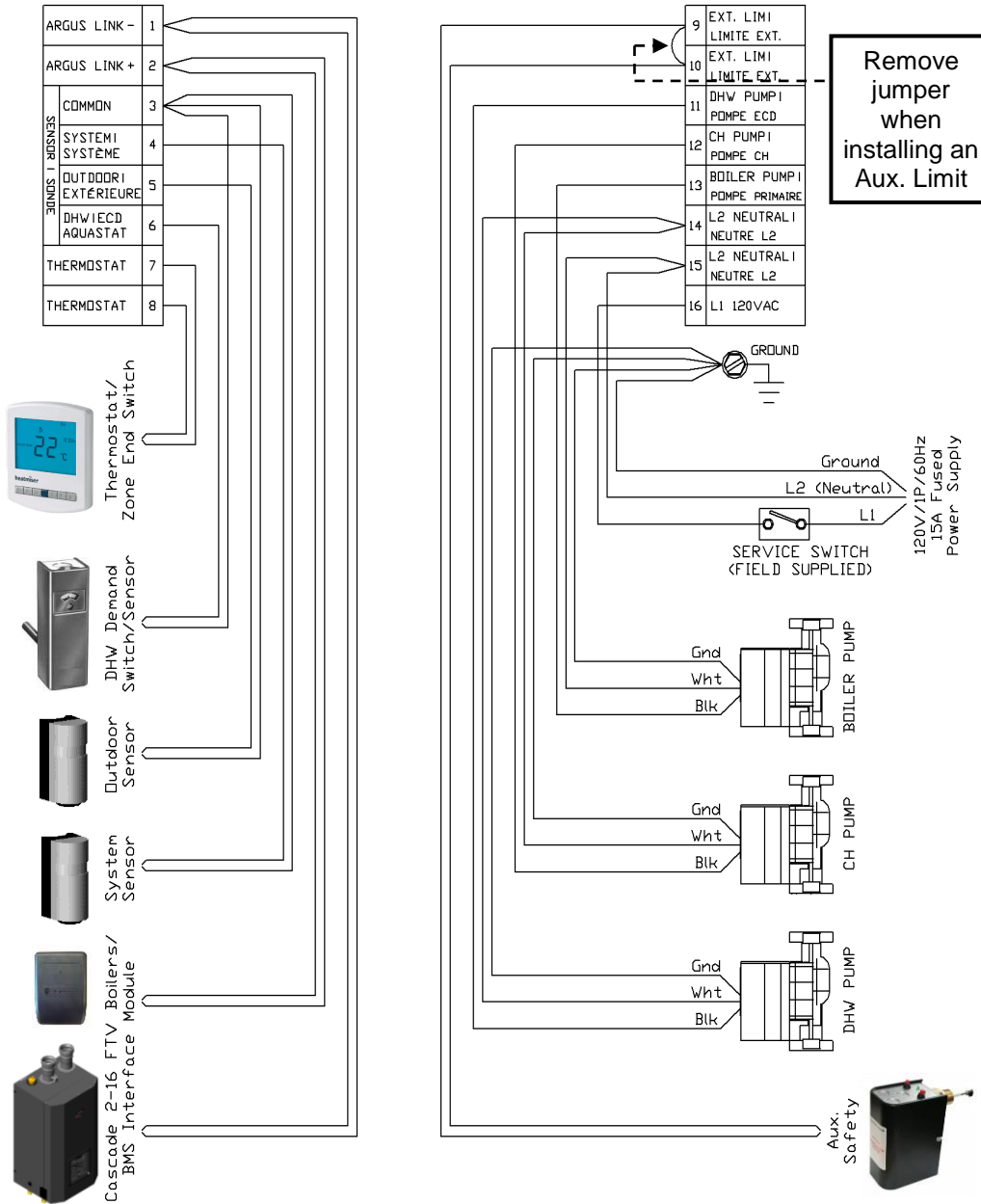
NY Thermal Inc. 30 Stonegate Drive, Saint John, NB E2H 0A4 Canada
 Technical Service: 1-800-688-2575 Fax: 1-506-432-1135 Web: [http:// www.ntiboilers.com](http://www.ntiboilers.com)
 NY Thermal Inc. reserves the right to change these specifications without notice



Trinity FTV Heat Only(110, 150 and 190MBH) High Efficiency Gas-Fired Condensing Boiler

SUBMITTAL SHEET
Section 1 – General Specifications
Section 2 – Product Dimensions
Section 3 – Field Wiring

3 -- FIELD WIRING



NY Thermal Inc.

NY Thermal Inc. 30 Stonegate Drive, Saint John, NB E2H 0A4 Canada
Technical Service: 1-800-688-2575 Fax: 1-506-432-1135 Web: [http:// www.ntiboilers.com](http://www.ntiboilers.com)
NY Thermal Inc. reserves the right to change these specifications without notice

2018-01-18
Rev. 0