



Trinity Tft60-85-110 High Efficiency Gas Modulating-Condensing Boiler

Submittal Sheet

Section 1 - Specifications
Section 2 - Dimensions
Section 3 - Electrical

Project Name: _____ Date: _____

Location: _____

Engineer: _____

Contractor: _____ Rep: _____

1 SPECIFICATIONS

General Specifications

- ▶ Product Features
 - Certified to ANSI Z21.13 / CSA 4.9 Gas-fired Boiler Standard (pending)
 - ASME "H" stamped boiler, designed and constructed in compliance with the ASME Boiler and Pressure Vessel Code Section IV
 - SA240-S43932 Stainless Steel Heat Exchanger
 - Maximum operating pressure 30 psi [206.8 kPa]
 - Field conversion from Natural Gas (factory) to Propane
 - Modulating burner, 5:1 turndown
 - Direct Spark Ignition
 - Wall (standard) or floor mounting (w/ opt. kit, NTI part # 84630)
 - Zero clearance to combustibles
- ▶ Optional sidewall vent kit (NTI part # 82666 & 84357)
- ▶ Factory Supplied Items
 - 10K thermistor outdoor sensor
 - 30PSI [206.8 kPa] ASME Relief Valve
 - 60PSI [413.7 kPa] Pressure Gauge
- ▶ Control Features
 - Integral microprocessor safety control
 - 2 central heat inputs (high & low temperature)
 - Domestic Hot Water Priority
 - Outdoor reset
 - Warm weather shutdown
 - Lead-Lag up to 8 Tft and Lx series boilers
 - Integrated Modbus RTU for connection to BMS gateways

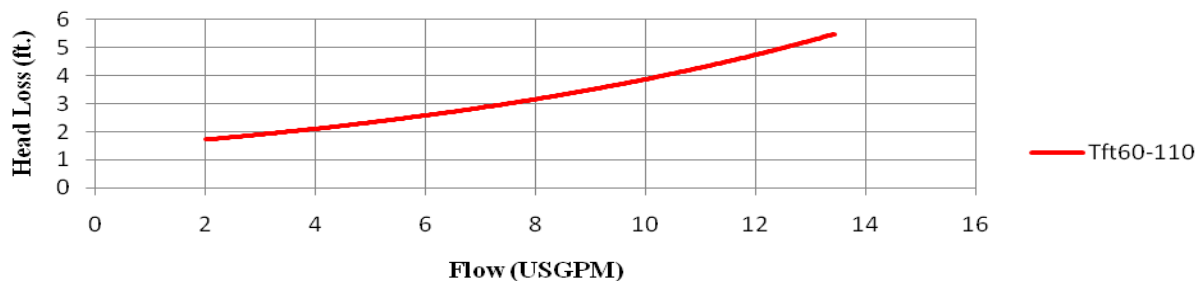
Model	Water Conn. NPT in.	Gas Connection NPT, in.	Vent/Air-Intake Pipe Diameter in. [mm]	Vent/Air-Inlet Max. Length, NG/LP ft. [m]		Approx. Wt. w/ Water lb. [kg]
				2 in. [50mm] venting	3 in. [50mm] venting	
Tft60	1 (Male)	½ (Male)	2 or 3 [50 or 76]	100/35 [30.5 /10.7]	150/150 [45.7 /45.7]	110 [50]
Tft85				100/25 [30.5 /7.6]		
Tft110						

Heating Specifications

Model	Input		Heating Capacity BTU/hr [kW]	AFUE %	Net I=B=R Rating BTU/hr [kW]
	Min BTU/hr [kW]	Max BTU/hr [kW]			
Tft60	17,000 [5]	60,000 [17.5]	56,000 [16.4]	95	48,000 [14.1]
Tft85	17,000 [5]	85,000 [24.9]	78,000 [22.8]		68,000 [19.9]
Tft110	21,600 [6.3]	108,000 [31.6]	99,000 [29.0]		86,000 [25.2]

Performance Specifications

Trinity Tft 60-110 Performance



NY Thermal Inc.

65 Drury Cove Road, Saint John, NB E2H 2Z8 Canada

Technical Service: 1-800-688-2575 Fax: 1-506-432-1135 Web: <http://www.nythermal.com>

NY Thermal Inc. reserves the right to change these specifications without notice

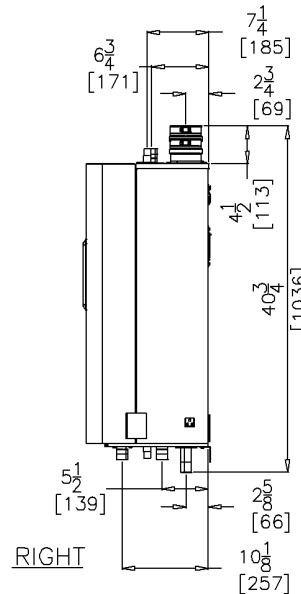
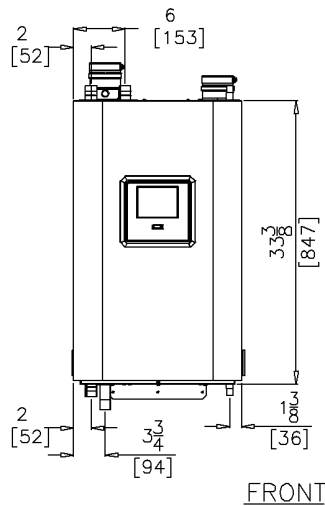
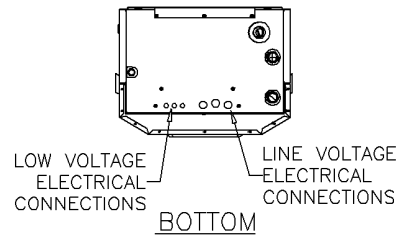
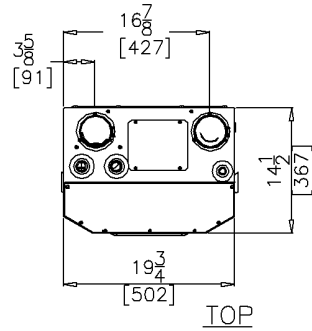


**Trinity Tft60-85-110
High Efficiency Gas
Modulating-Condensing Boiler**

Submittal Sheet

2 DIMENSIONS

Product Dimensions – in. [mm]



Recommended Clearances – in. [mm]

Front	Top	Sides	Back	Bottom	Flue Pipe
36 [914]	24 [610]	12 [305]	0	24 [610]	1 [25]



NY Thermal Inc.

65 Drury Cove Road, Saint John, NB E2H 2Z8 Canada

Technical Service: 1-800-688-2575 Fax: 1-506-432-1135 Web: [http:// www.nythermal.com](http://www.nythermal.com)

NY Thermal Inc. reserves the right to change these specifications without notice



Trinity Tft60-85-110 High Efficiency Gas Modulating-Condensing Boiler

Submittal Sheet

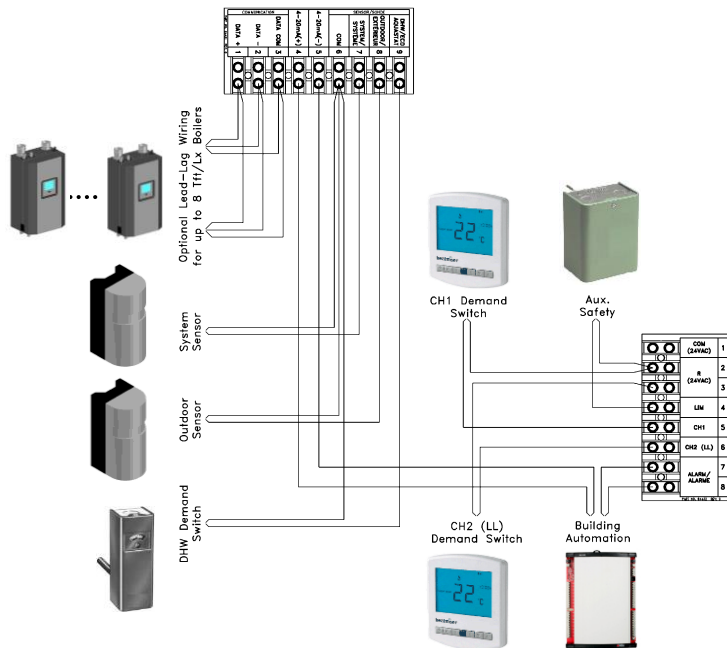
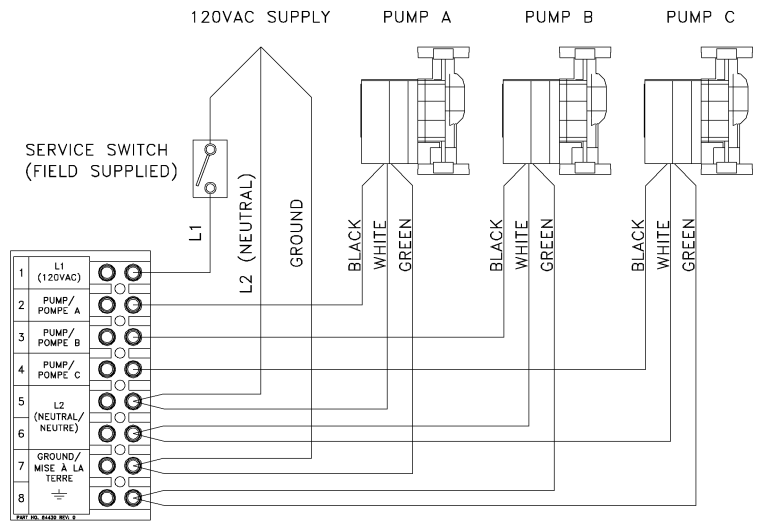
3 ELECTRICAL

Simplified Wiring Diagrams

Line Voltage Electrical:

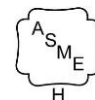
- ▶ 120VAC / 60 Hz / 1 Phase / 12 Amp
- ▶ Barrier Strip for field wiring terminations
- ▶ 3 Pump outputs
 - Indirect Domestic Hot Water (Pump A)
 - Boiler (Pump B)
 - Central Heat (Pump C)

Note: Pumps are field supplied.



Low Voltage Electrical:

- ▶ Barrier Strip for field wiring terminations
- ▶ 120/24 VAC Transformer 40VA (factory supplied)
- ▶ Inputs
 - CH1 thermostat (by others)
 - CH2 thermostat (by others)
 - Indirect DHW aquastat (by others) or DHW Tank sensor (factory option)
 - External Limit (by others)
 - Outdoor sensor (factory supplied)
 - System sensor (factory option)
 - 4-20mA external modulating control (by others)
- ▶ Outputs
 - Alarm dry contact (24VAC 0.63A max.)
- ▶ EIA-485 Modbus communications for Lead-Lag
- ▶ EIA-485 Modbus to BMS gateways (not shown). Optional available gateways:
 - BACnet/N2- NTI part # 84946
 - LonWorks- NTI part # 84947



NY Thermal Inc.

65 Drury Cove Road, Saint John, NB E2H 2Z8 Canada

Technical Service: 1-800-688-2575 Fax: 1-506-432-1135 Web: [http:// www.nythermal.com](http://www.nythermal.com)