

**NY Thermal Inc.**  
 Tel: (506) 657-6000  
 Toll Free: 1-800-688-2575  
 Fax: 1-506-432-1135  
 Web: www.ntiboilers.com  
 Email: info@ntiboilers.com

84713  
 Gas Valve EBM 120VDC  
**(55299.05517A)**

**Applicable Boiler Models**

- < Tx51
- < Tx81
- < Tx101
- < Tx151, Tx151C
- < VM110, VM110P
- < VM153, VM153P

**Kit Contents**

- < 1 Gas Valve (Refer to Figure 1)

**Tools Required**

- < T-25 Torx Screwdriver
- < 3mm Allen wrench
- < + Á Þ ~ c Á Ö ! ã ç ^ !
- < Combustion analyzer

**Replacement Instructions** (see Figure 2)

- 1) Turn off power and gas to the boiler.
- 2) Remove tubing from gas valve.
- 3) Remove gas line from valve.
- 4) Remove gas valve using T-25 Torx screwdriver.
- 5) Transfer gas line adapter to the new valve. Use care to ensure that the O-ring gasket does not fall out.
- 6) Transfer gas valve-to-venturi gasket to replacement gas valve (see Figure 3).

**Note:** If operating on LP Gas, ensure the LP orifice remains in the gas valve-to-venturi adapter (see Figure 3).

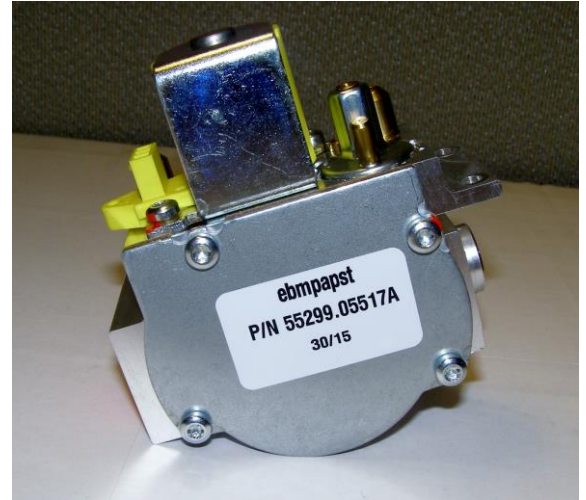
- 7) Re-assembly is the reverse of disassembly.
- 8) The valve is not set when received. To set the valve turn the throttle screw (Figure 4) clockwise ↻ until it stops and use Table 1 to adjust the valve to correct setting.

**Note:** The adjustment in step 8 must be followed up with a combustion test to ensure safe and reliable operation see Danger Combustion analysis on the next page.

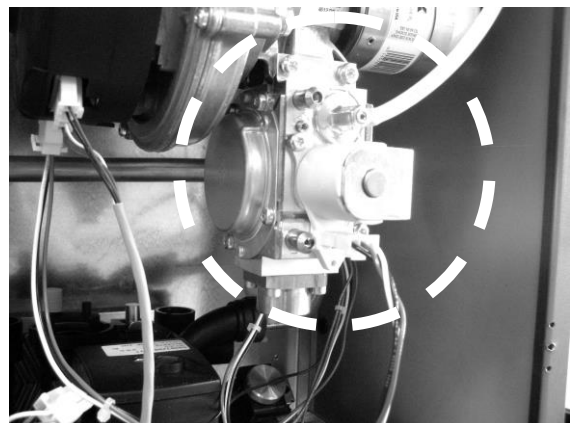
- 9) Operate boiler at high fire and perform a combustion analysis according to the guidelines in the installation and operation manual. Adjust the valve as necessary using Figure 4.

**⚠ DANGER Explosion Hazard** . Ensure that the gas valve-to-venturi gasket and gas valve adapter gasket are properly installed on the replacement gas valve before reinstalling the gas valve. Failure to comply will cause gas leakage which may result in an explosion, serious injury or death.

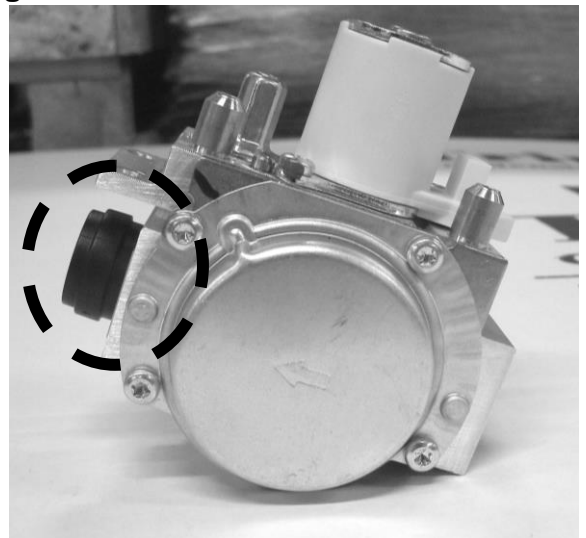
**Figure 1**



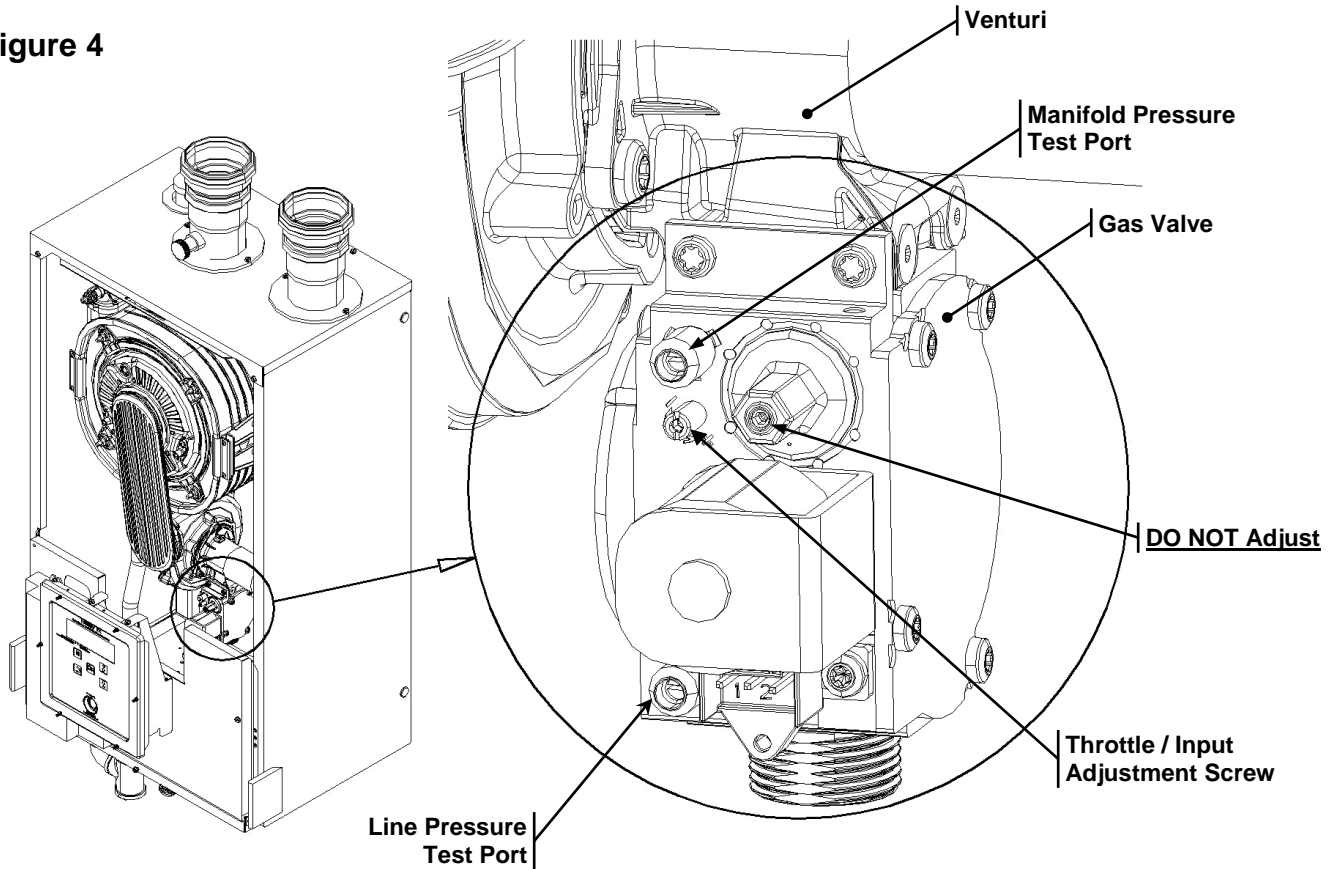
**Figure 2**



**Figure 3**



**Figure 4**



**Table 1**

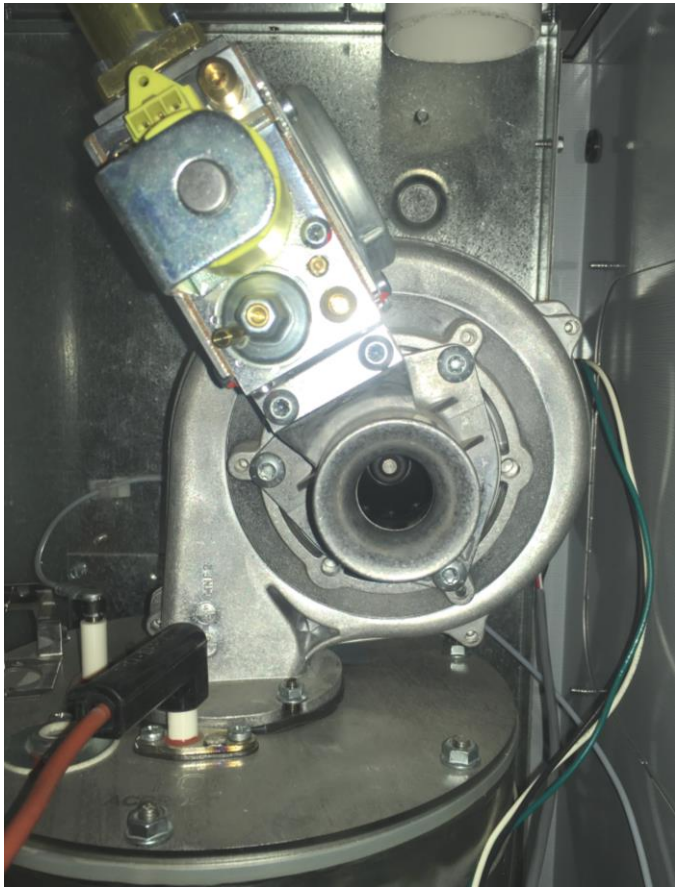
Boiler model	Turns counter clockwise from fully closed ↻
Tx51	4
Tx81	4.5
Tx101	5
Tx151(C)	5.5
VM110(P)	See Figure 5
VM153(P)	12

\*\* See Figure 5 for model VM110(P)



**Combustion Analysis** - Failure to perform a combustion analysis and adjust the gas valve according to the installation and operation manual will result in boiler malfunction and or excess carbon monoxide production which will result in serious injury, death or property damage.

**Figure 5**

<b>Vm110(P) Old Style</b>	<b>Vm110(P) New Style</b>
 <p data-bbox="235 1201 685 1234">Adjust 6 turns out from fully closed</p>	<p data-bbox="928 1201 1395 1234">Adjust 12 turns out from fully closed</p>