

**NY Thermal Inc.**  
 Tel: (506) 657-6000  
 Toll Free: 1-800-688-2575  
 Fax: 1-506-432-1135  
 Web: www.nythermal.com  
 Email: info@nythermal.com

## 83035-1 Thermistor NTC 1/4" NPT

### Applicable Boiler Models

- Ti 100-200
- Ti 150C, 200C
- Ti 400
- Matrix M100(V)

### Kit Contents

- 83035 Thermistor
- 83323 Thermistor wire harness

### Tools Required

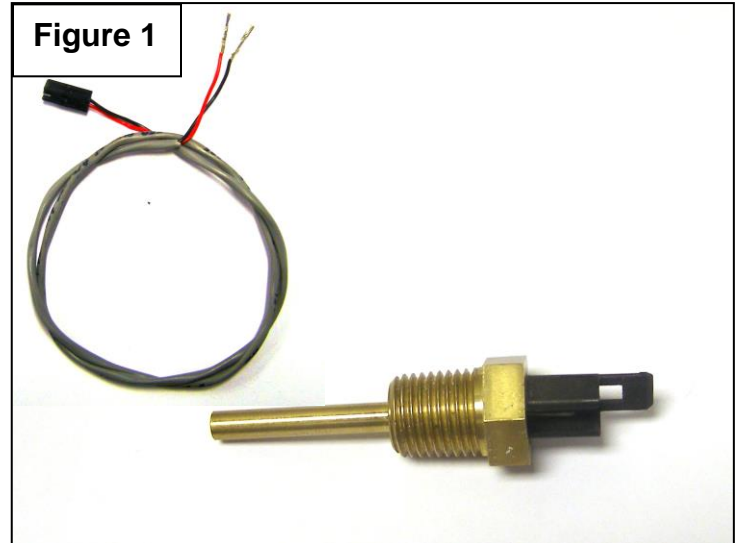
- 16mm Wrench
- Thread sealant

### Replacement instructions:

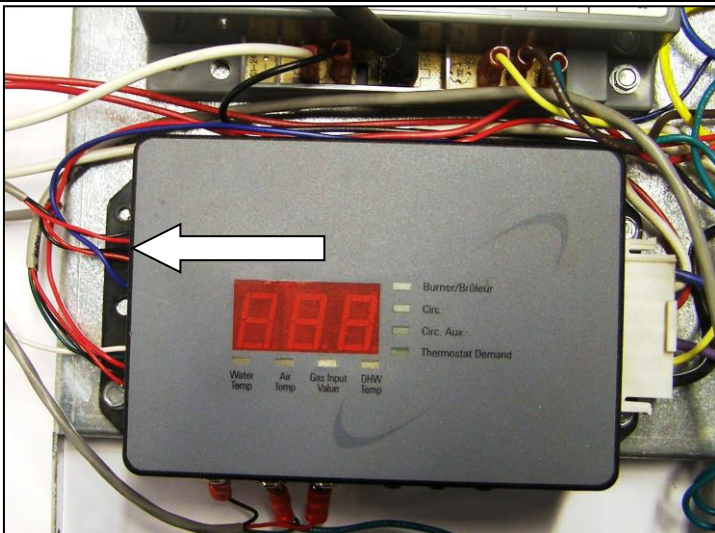
- 1) Turn off power and gas to the boiler
- 2) Drain the boiler of water
- 3) Disconnect the wire harness from the thermistor, and remove the thermistor

**Notice :** Protect the combustion fan motor on Ti 400 boilers from water prior to removing the thermistor. Due to the location of the thermistor the boiler manifold may not fully drain before the thermistor is removed.

- 4) Install the new thermistor using thread sealing tape or pipe sealant to prevent leakage.
- 4) Remove the protective cover from the Sentry control panel
- 5) Remove the upper left hand electrical connector from the Sentry see **Figure 2 and 3**
- 6) Turn the electrical connector over and use a small pointed tool to depress the wire retaining tabs, then gently pull the wire to remove it from the electrical connector.
- 7) Insert the new wires into the electrical connector so that the retaining tab locks into place. Gently pull on the wires to ensure they locked into position. It may be necessary to lift the retaining tab slightly if the wire does not lock in place. See **Figure 5**
- 8) Replace the electrical connector in the Sentry and verify proper boiler operation. **Figure 2 and 3**



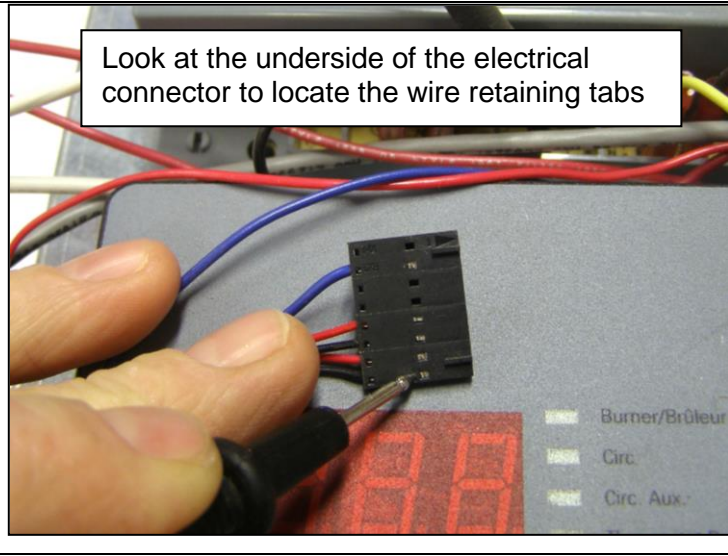
**Figure 2**



**Figure 3**



**Figure 4**



**Figure 5**

