

NY Thermal Inc.
 Tel: (506) 657-6000
 Toll Free: 1-800-688-2575
 Fax: 1-506-432-1135
 Web: www.nythermal.com
 Email: info@nythermal.com

82671 Thermistor NTC 1/8th BSP

Applicable Boiler Models

- Ti 100-200
- Ti 150C, 200C
- Matrix M100(V)

Kit Contents

- 82671 Thermistor
- Thermistor wire harness

Tools Required

- 16mm Wrench

Replacement instructions:

- 1) Turn off power and gas to the boiler
- 2) Drain the boiler of water
- 3) Disconnect the wire harness from the thermistor, and remove the thermistor
- 4) Remove the protective cover from the Sentry control panel
- 5) Remove the upper left hand electrical connector from the Sentry see **Figure 2 and 3**
- 6) Turn the electrical connector over and use a small pointed tool to depress the wire retaining tabs, then gently pull the wire to remove it from the electrical connector.
- 7) Insert the new wires into the electrical connector so that the retaining tab locks into place. Gently pull on the wires to ensure they locked into position. It may be necessary to lift the retaining tab slightly if the wire does not lock in place. See **Figure 5**
- 8) Replace the electrical connector in the Sentry and verify proper boiler operation. **Figure 2 and 3**

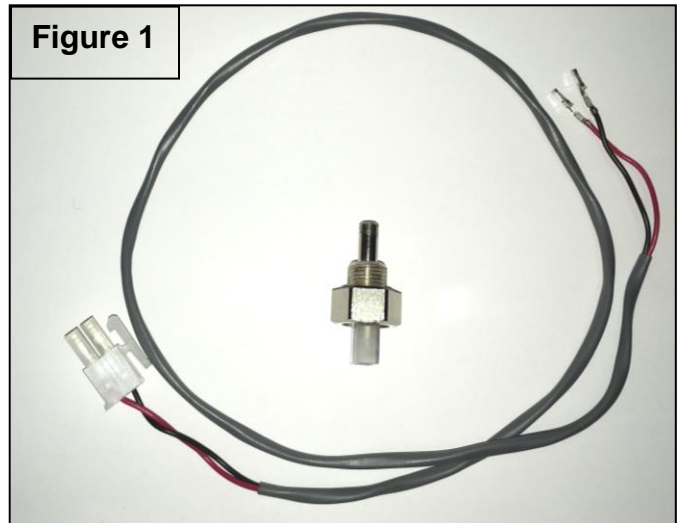


Figure 2

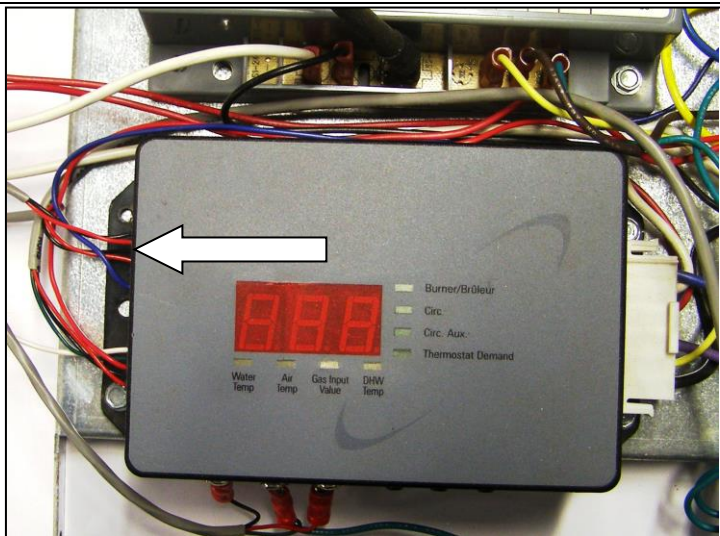


Figure 3



Figure 4

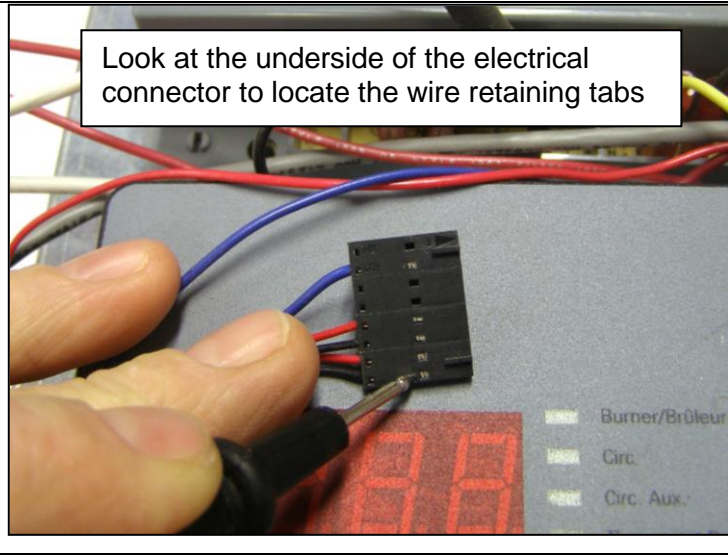


Figure 5

